

**8<sup>th</sup>  
Grade**

**Week 3 – Summer Review - Perimeter and Area**

**Help can be found at:**

**Naming Shapes:**

<https://www.khanacademy.org/math/cc-fourth-grade-math/cc-4th-geometry-topic/cc-4th-classifying-shapes>

**Area and Perimeter:**

<https://www.khanacademy.org/math/basic-geo/basic-geo-area-perimeter> or

<http://www.math.com/school/subject3/lessons/S3U2L4GL.html>

**Define.**

1. Perimeter:

\_\_\_\_\_

2. Area:

\_\_\_\_\_

3. Circumference:

\_\_\_\_\_

**Find the Perimeter and name the shape by selecting all names that apply from the word bank.**

A. Scalene Triangle

E. Hexagon

I. Rectangle

M. Parallelogram

B. Right Triangle

F. Obtuse Triangle

J. Right Trapezoid

N. Isosceles Trapezoids

C. Quadrilateral

G. Pentagon

K. Regular Pentagon

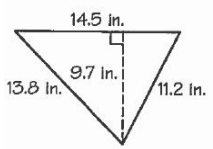
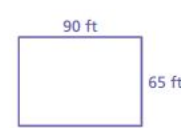
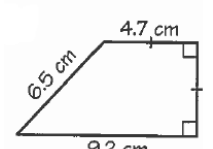
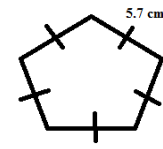
O. Rhombus

D. Acute Triangle

H. Equilateral Triangle

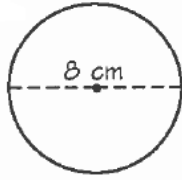
L. Square

P. Isosceles Triangle

<p>4.</p>  <p>Perimeter: _____ Name: _____</p>	<p>9.</p>  <p>Perimeter: _____ Name: _____</p>
<p>10.</p>  <p>Perimeter: _____ Name: _____</p>	<p>11.</p>  <p>Perimeter: _____ Name: _____</p>

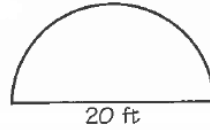
**Find the measurement. Write all answers in terms of  $\pi$ .**

12. Find the circumference.



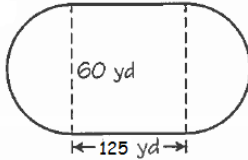
Circumference: \_\_\_\_\_

13. You want to put a fence around your flower garden that is in the shape of a semi-circle. How much fence do you need to buy?



\_\_\_\_\_

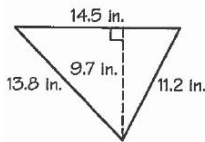
14. Is the track below a  $\frac{1}{4}$  mile (440 yards) in length?



\_\_\_\_\_

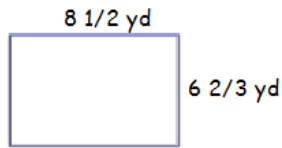
**Find the Area.**

15.



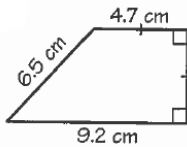
Area: \_\_\_\_\_

16.



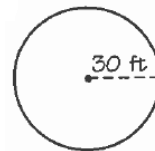
Area: \_\_\_\_\_

17.



Area: \_\_\_\_\_

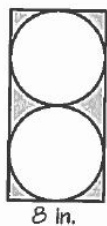
18.



Area: \_\_\_\_\_

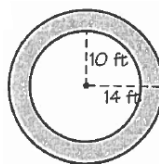
**Find the area of the shaded region.**

19.



Area: \_\_\_\_\_

20. You installed a hot tub and want to put a brick walkway around it. How many square feet of brick do you need to buy?



\_\_\_\_\_